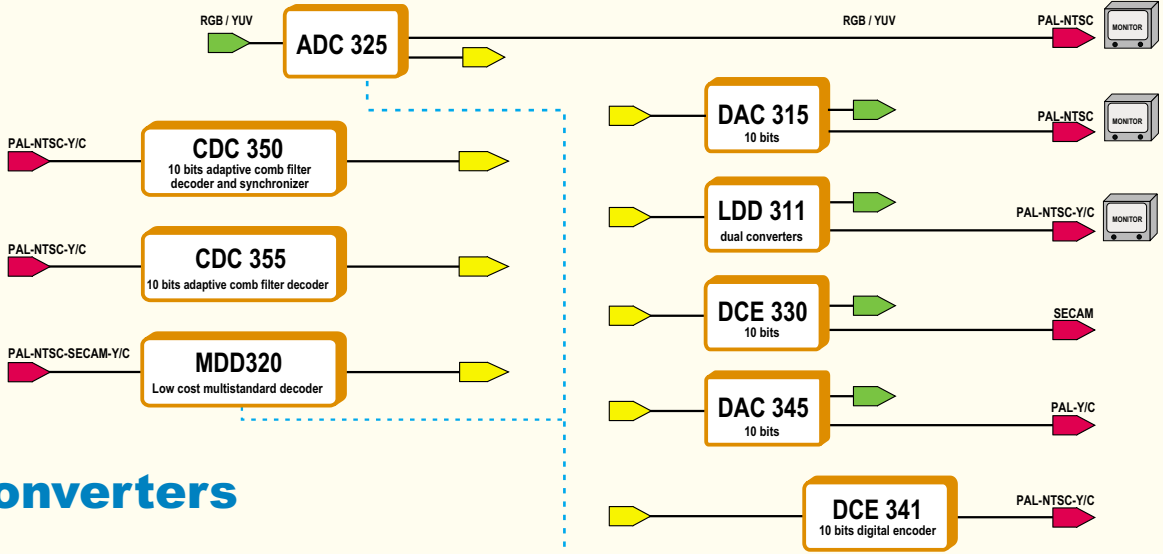




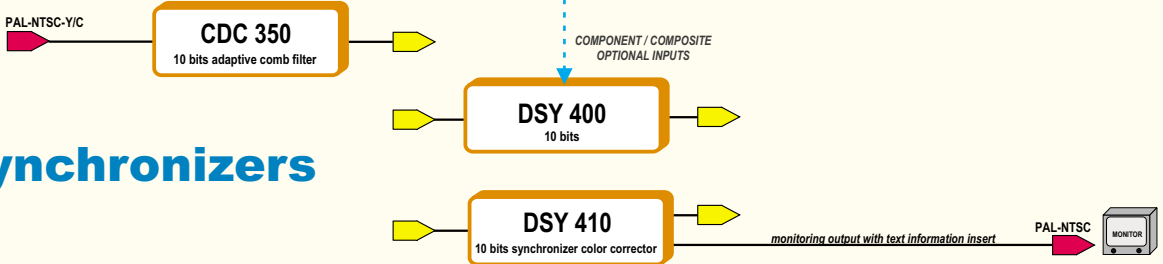
# DIGITAL VIDEO RANGE



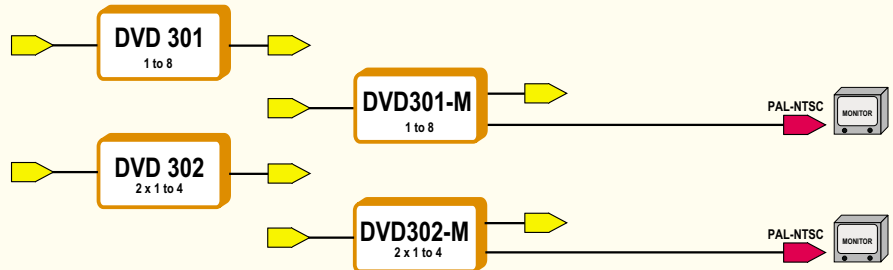
## Converters



## Synchronizers



## Distribution Amplifiers



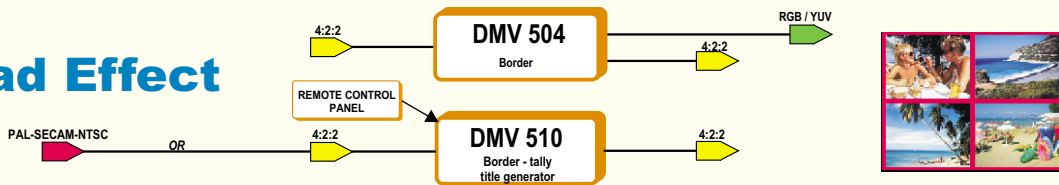
PRODUCT REFERENCE GUIDE



# DIGITAL VIDEO EFFECTS



## Quad Effect



## Mosaic Up to 16 inputs



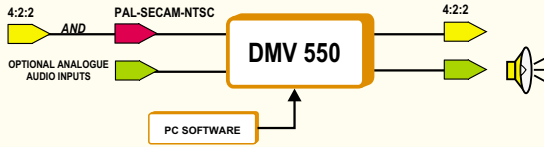


COMPOSITE

4:2:2 SERIAL DIGITAL COMPONENT

## Broadcast Digital Mosaic

*Up to 20 Simultaneous Channels Chosen Among 40 Composite / Digital Video Sources*



The DMV 550 provides an infinite number of solutions to displaying several video sources simultaneously on the same screen. Each channel allows an independently process: size, position, crop, border, virtual zoom, UMD ...

## AUDIO / VIDEO RANGE

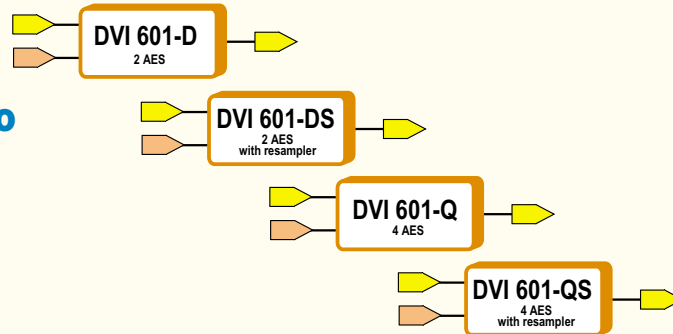


DIGITAL AES / EBU

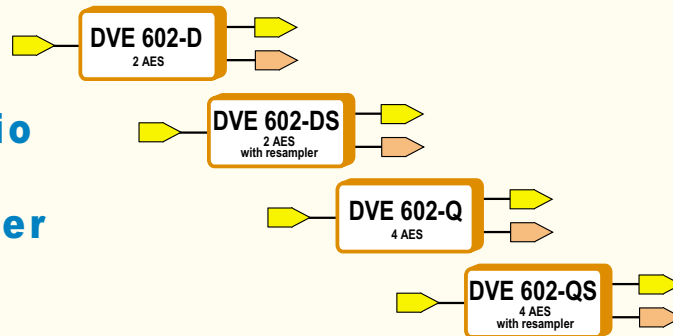
4:2:2 SERIAL DIGITAL COMPONENT

ANALOGUE AUDIO

### Digital audio Inserter Embedder



### Digital audio Extractor De-Embedder



### Analogue audio Inserter Embedder



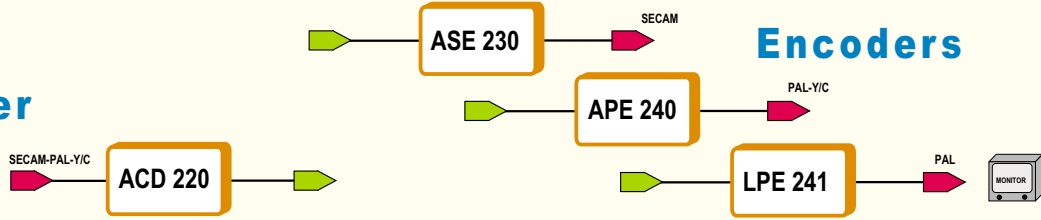
### Analogue audio Extractor De-Embedder



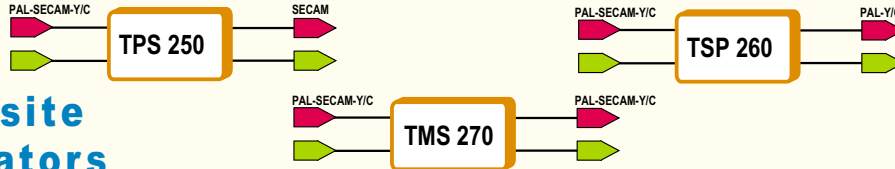
COMPOSITE

RGB / YUV COMPONENTS

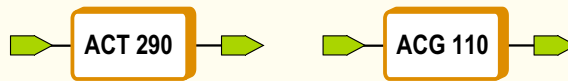
**Decoder**



**Composite Translators**

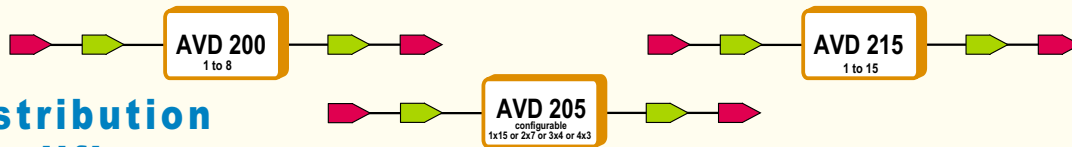


**Component Translator**



**Color bars Generator**

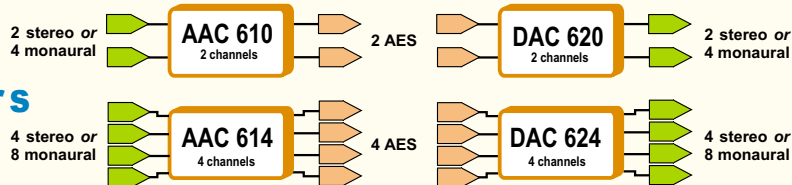
**Distribution Amplifiers**



DIGITAL AES / EBU

ANALOGUE

**Converters**



**Variable delay**



**Synchronizer**

video tracking  
sample rate conversion

**Sample rate converter**



**Distribution Amplifiers**



**Analogue Mixer**

